

# GP Batteries

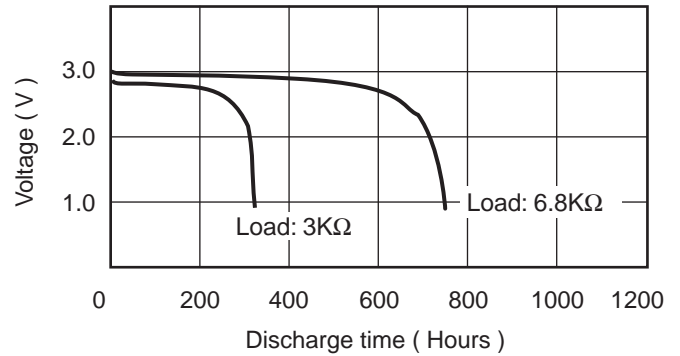
## Data Sheet

Model No.: CR2430

Description : Flat Lithium Battery  
 Chemical system : Lithium Manganese Dioxide  
 Nominal voltage : 3 Volts  
 Nominal capacity : 270mAh  
 Dimensions :  $\phi 24.5 \times 3.0$ mm  
 Shelf life : 5 years at room temperature  
 Average weight : 4 grams  
 Applications : Watch, calculator, camera and memory back up

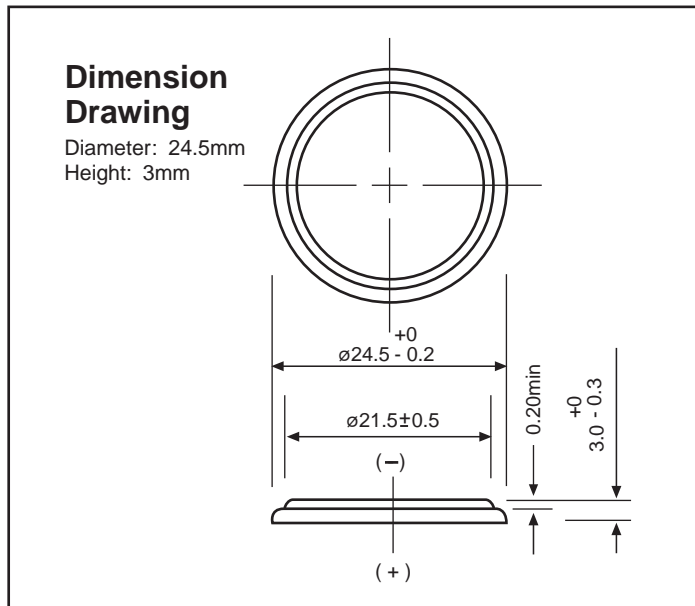
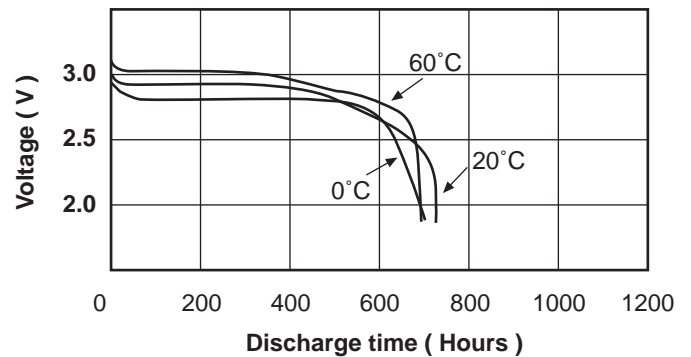
### Discharge Characteristics on load

At 20°C



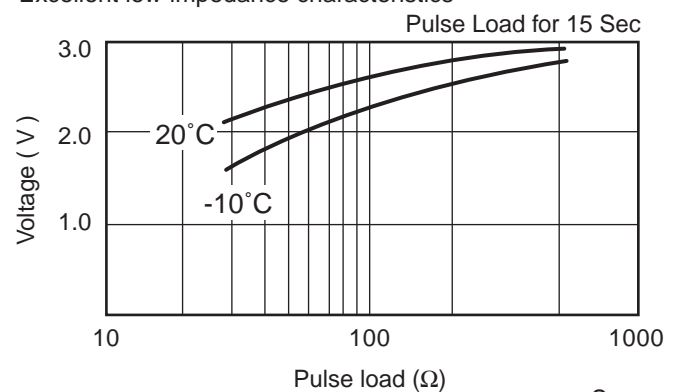
### Discharge characteristics on temperature

Load 6.8kΩ



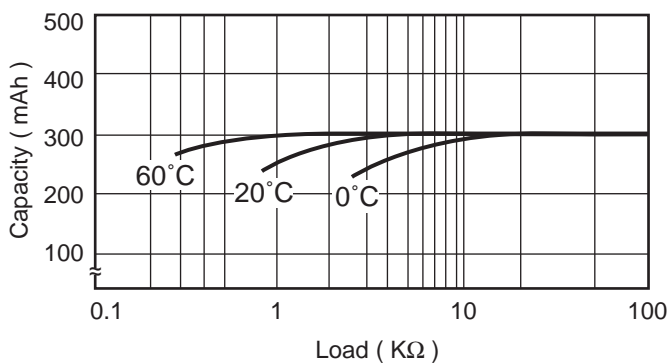
### Discharge characteristics on pulse load

(Discharge depth 40%)  
 Excellent low-impedance characteristics



### Discharge Load vs Discharge Capacity

Cut off 2.0V



### Cross Reference:

IEC	JIS	Eveready	Varta	Duracell
CR2430	CR2430	ECR2430	CR2430	DL2430

